



AMERICAN HIGH VOLTAGE
POWER SUPPLIES FOR THE WORLD

HTR/HTDR Series

HTR / HTDR Series

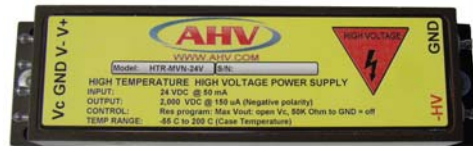
200° C High Voltage Power Supply

General Description

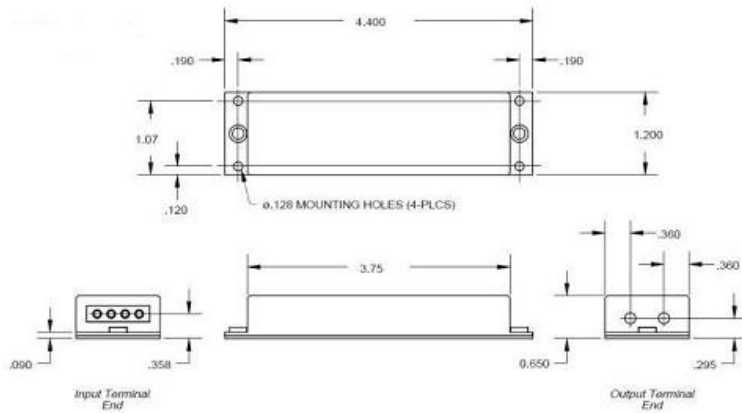
The HTR/HTDR Series high voltage power supplies are designed to operate at extreme temperatures and in harsh environments especially for the oil well logging industry. The HTR/HTDR units provide up to 3kV at 100 uA of regulated output, with either positive or negative polarity. All models are adjustable over a 3:1 output voltage range by either voltage or resistance programming. Temperature drift is less than 20 ppm/deg C by using advanced internal reference and drift compensation techniques. All models are reverse input and output arc and short circuit protected.

Features

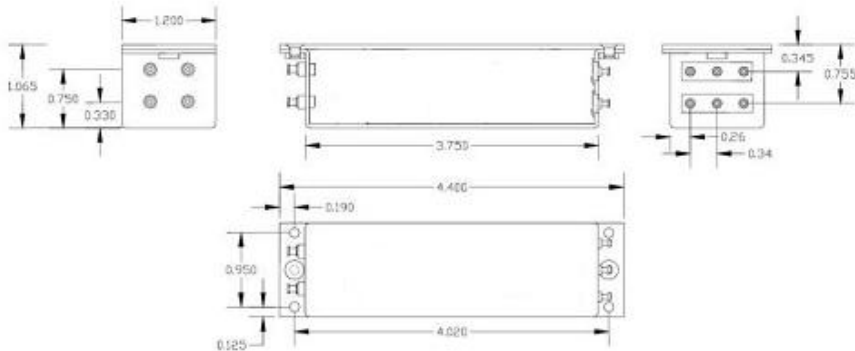
- Regulated
- Encapsulated and Shielded
- Voltage and Resistance programmable
- 1kV, 2kV and 3kV available
- Various input voltages available
- Positive or Negative Polarity



Connection Diagram/ Outline Drawing



Single-Rectangular Configuration (HTR)



Dual-Rectangular Configuration (HTDR)



AMERICAN HIGH VOLTAGE
POWER SUPPLIES FOR THE WORLD

Electrical Characteristics

(at 25 degrees C unless otherwise specified)

HTR/HTDR Series

Parameter	Conditions	Value			Units
		Min	Typical	Max	
Supply Voltage*:	HTR/HTDR - 15	14 VDC	15VDC	16 VDC	VDC
	HTR/HTDR - 24	22 VDC	24VDC	26 VDC	VDC
	HTR/HTDR - 30	27 VDC	30VDC	33 VDC	VDC
Input Current:	No Load (-15 model):	45	50	55	mA
	No Load (-24 model):	30	35	40	mA
	No Load (-30 model):	30	35	40	mA
	Full Load (-15 model):	75	80	85	mA
	Full Load (-24 model):	36	40	44	mA
	Full Load (-30 model):	36	40	44	mA
Output Ripple:	No Load (all models):	0.015 %	0.02 %	.03 %	Vpp
	Full Load (all models):	0.02 %	0.03 %	0.035%	Vpp
Load Regulation:	No Load to Full Load	0.01 %	0.02 %	0.025 %	V_{NL}/V_L
	Half Load to Full Load	0.01 %	0.01 %	0.01 %	V_{NL}/V_L
Output Linearity	No Load		1%		$\frac{\Delta V_{OUT}}{\Delta V_{OUT} (ideal)}$
Output Linearity	Full Load (all models):		1%		$\frac{\Delta V_{OUT}}{\Delta V_{OUT} (ideal)}$
Short Circuit Current:	(maximum input current)		100	125	mA
Power Efficiency:	Full Load	20%	25%	30%	$\frac{P_{OUT}}{P_{IN}}$
Reverse Input Polarity	Protected to 50 VDC				
Temperature Drift:	No Load			25	ppm/DegC
	Full Load			25	ppm/Deg C
Thermal Rise:	No Load (case)			2	degrees C
	Full Load (case)			5	degrees C
Slew Rate (10% - 90%)	No Load			100	mS
	Full Load			120	mS
Slew Rate (90% - 10%)	No Load			200	mS
	Full Load			100	mS
Drain Out Time	No Load (5 TC)			150	mS



AMERICAN HIGH VOLTAGE
POWER SUPPLIES FOR THE WORLD

Physical Characteristics

(at 25 degrees C unless otherwise specified)

Rectangular Shape (HTR)

Parameter	Conditions	Value	Units
Dimensions	MKS	127 L x 28 W x 13.5 H	mm
	English	5 L x 1.10 W x 0.53 H	inches
Volume:	MKS	48	cm ³
	English	2.9	inch ³
Weight:	MKS	120	grams
	English	4.3	oz
Packaging:	Black anodized Aluminum epoxy encapsulation		
Terminations:	Input:	Teflon Terminals	
	Output:	Teflon Terminals	

Dual-Rectangular Shape (HTDR)

Parameter	Conditions	Value	Units
Dimensions	MKS	127 L x 28 W x 26.7 H	mm
	English	5 L x 1.10 W x 1.05 H	inches
Volume:	MKS	95	cm ³
	English	5.78	inch ³
Weight:	MKS	155	grams
	English	5.47	oz
Packaging:	Black anodized Aluminum epoxy encapsulation		
Terminations:	Input:	Teflon Terminals	
	Output:	Teflon Terminals	

HTR/HTDR Series



AMERICAN HIGH VOLTAGE
POWER SUPPLIES FOR THE WORLD

Environmental Characteristics

(at 25 degrees C unless otherwise specified)

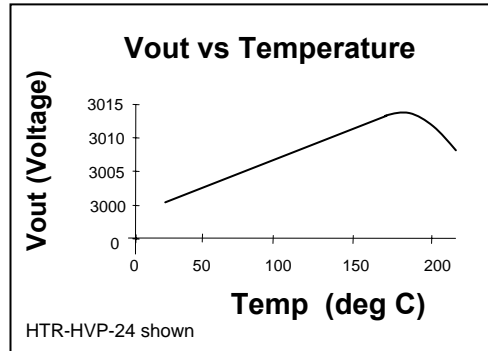
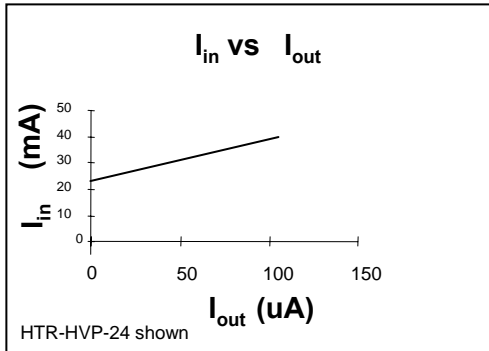
Parameter	Conditions	Value	Units
Temperature Range	case temperature	-40 degrees to + 200 degrees	Celsius
	case temperature	-40 degrees to + 392 degrees	Fahrenheit
Shock:	MIL-STD-810 Method 516	200 g's	Proc IV
Altitude:	pins sealed against corona	-350 to + 16,700	meters
	pins sealed against corona	-1,000 to +55,000	feet
Vibrations:	MIL-STD-810 Method 514	20 g's	Curve E
Thermal Shock	MIL-STD-810 Method 504	-40 deg C to +200 deg C	Class 2

HTR/HTDR Series



AMERICAN HIGH VOLTAGE
POWER SUPPLIES FOR THE WORLD

HTR/HTDR Series Performance Charts



HTR/HTDR Series Application Notes

HTR/HTDR Series high voltage power supplies are regulated against both line and load changes. Input current as a function of load is shown above, as is output voltage as a function temperature. Setting the output voltage to a fixed value which is lower than the unit's maximum output can be accomplished by either of two methods. In the resistance programming mode, a resistor is inserted between the Control Pin and the Ground Pin. For positive output units, a resistance value of zero Ohms yields the maximum output voltage. Figure 1 shows the connections for a positive output power supply. Figure 2 shows the output voltage as a function of control resistor.

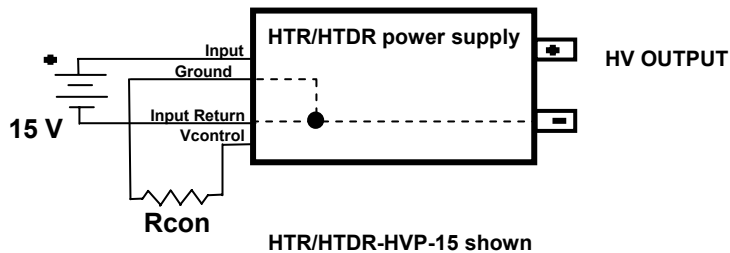


Figure 1: Resistance program of positive output of HTR/HTDR



AMERICAN HIGH VOLTAGE
POWER SUPPLIES FOR THE WORLD

HTR/HTDR Series Application Notes (continued)

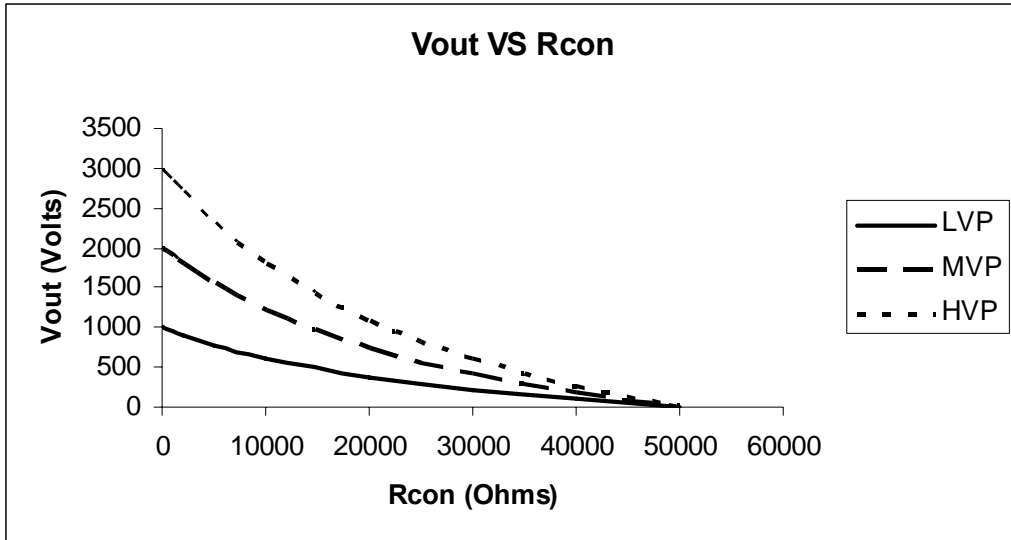


Figure 2: Positive Style HTR/HTDR Output Voltage as a function of control resistor

Some models of the HTR/HTDR Series high voltage power supplies can provide a negative output voltage. To set the output voltage to a fixed value lower than the maximum that the unit can provide is easily accomplished. In the resistance programming mode, a resistor is inserted between the Control Pin and the Ground Pin. For negative output units, an open circuit yields the maximum output voltage. Figure 3 shows the connections for a negative output power supply. Figure 4 shows the output voltage as a function of control resistor.

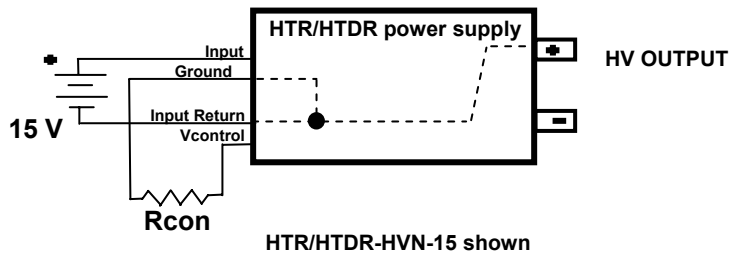


Figure 3: Resistance program of negative output of HTR/HTDR



AMERICAN HIGH VOLTAGE
POWER SUPPLIES FOR THE WORLD

HTR/HTDR Series Application Notes (continued)

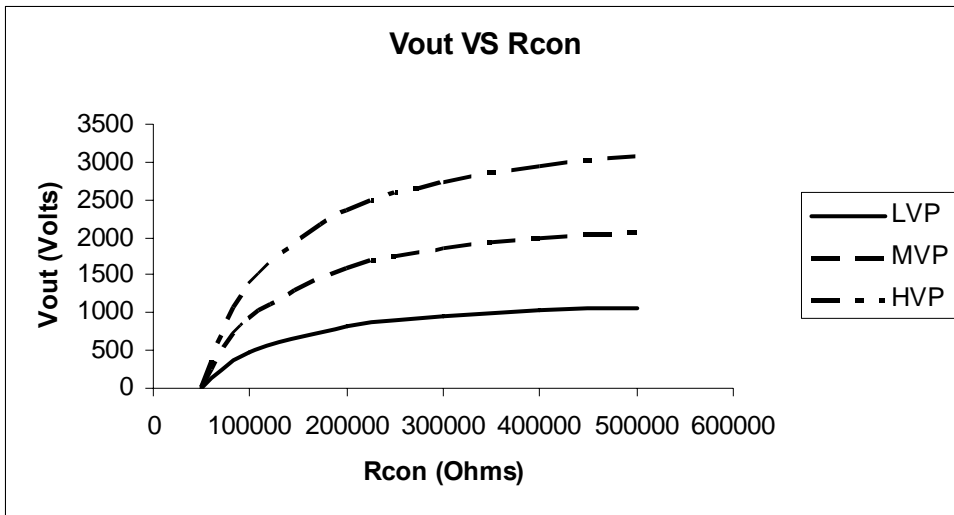


Figure 4: Negative Style HTR/HTDR Output Voltage as a function of control resistor

All HTR/HTDR power supplies can be controlled by an external reference voltage placed into the Control Pin. Figure 5 details this connection for positive style output units while Figure 6 shows the effect of this external voltage on the output voltage of the unit. The power supply will regulate at the set voltage and be stable against line and load variations as long as the external control voltage is fixed in magnitude.

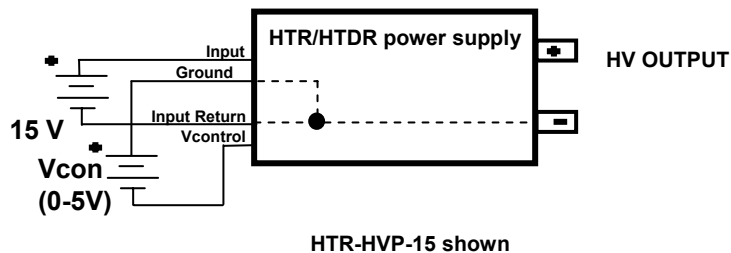


Figure 5: Voltage program of positive output of HTR/HTDR



AMERICAN HIGH VOLTAGE
POWER SUPPLIES FOR THE WORLD

HTR/HTDR Series Application Notes (continued)

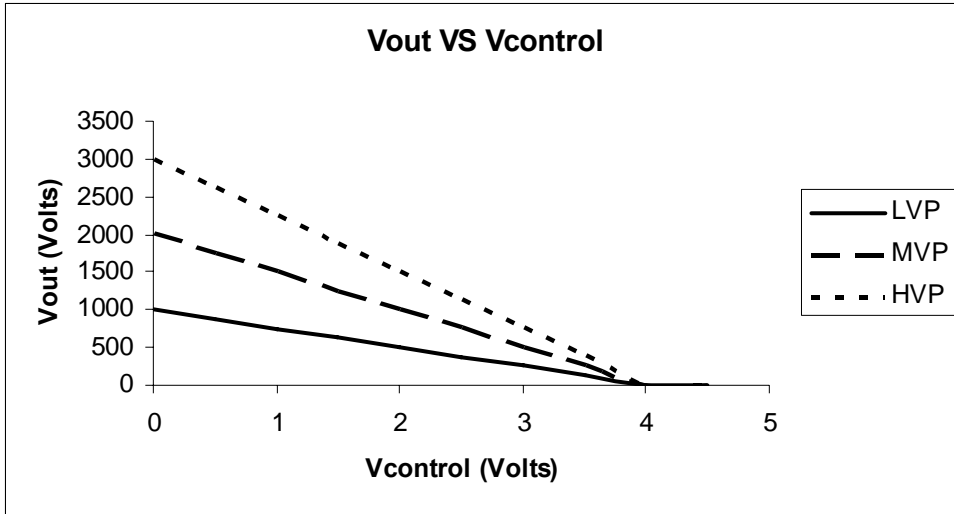
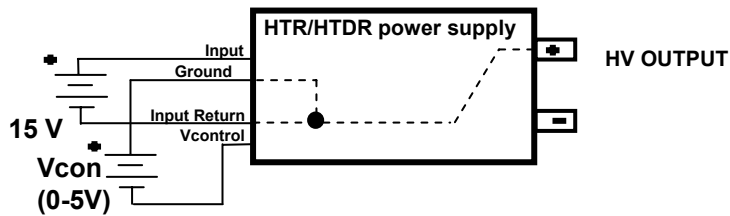


Figure 6: Positive Style HTR/HTDR Output Voltage as a function of program voltage

Negative output HTR/HTDR power supplies can also be controlled by an external reference voltage placed into the Control Pin. Figure 7 details this connection for negative style output units while Figure 8 shows the effect of this external voltage on the output voltage of the unit. The power supply will regulate at the set voltage and be stable against line and load variations as long as the external control voltage is fixed in magnitude.



HTR/HTDR-HVN-15 shown

Figure 7: Voltage program of negative output of HTR/HTDR



AMERICAN HIGH VOLTAGE
POWER SUPPLIES FOR THE WORLD

HTR/HTDR Series Application Notes (continued)

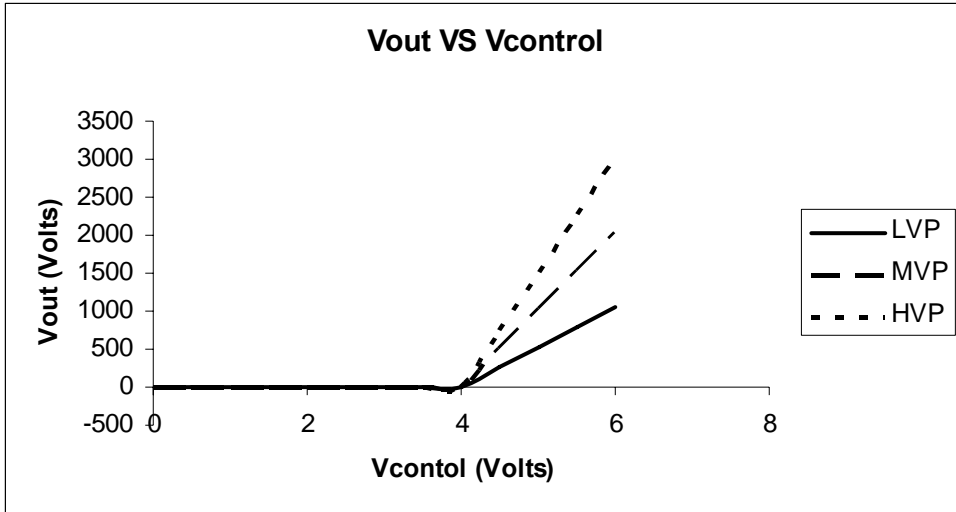
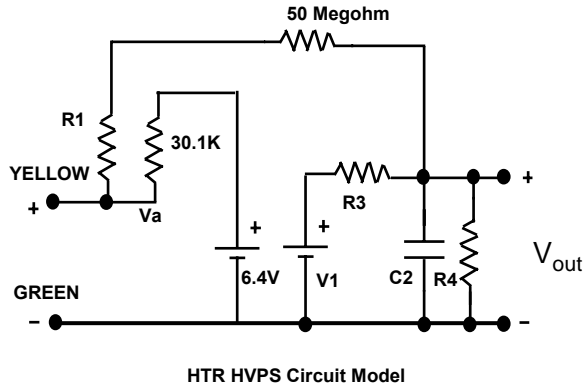


Figure 8: Negative Style HTR/HTDR Output Voltage as a function of program voltage

Equivalent HTR Circuit Model



R1 = 201K Ohm (LVP), 100K Ohm (MVP), 67K Ohm (HVP)
90K Ohm (LVN), 30K Ohm (MVN), 10K Ohm (HVN)

R3 = 1 K Ohms

R4 = 100 Megohms

C2 = (3 x 10⁻⁹) Farads

V1 = Positive output units: $4.01 + (2 \text{ E}8) / R1 - (50 \text{ E}6)(Va)/R1$

= Negative output units: $(50 \text{ E}6)(Va)/R1 - (2 \text{ E}8)/R1 + 4.01$



AMERICAN HIGH VOLTAGE
POWER SUPPLIES FOR THE WORLD

Ordering Information:

Single-rectangular Shape:

HTR-XVY - Z

X = Output voltage range: L = 1KV, M = 2KV, H = 3KV
Y = polarity P = positive, N = negative
Z = Input voltage 15, 24, 30

Example:

HTR-LVP-24: Maximum output = 1,000 V positive polarity 24 VDC input
HTR-HVN-30: Maximum output = 3,000 V negative polarity 30 VDC input

Dual-rectangular Shape:

HTDR-XVY - Z

X = Output voltage range: L = 1KV, M = 2KV, H = 3KV
Y = polarity P = positive, N = negative
Z = Input voltage 15, 24, 30

Example:

HTDR-LVP-24: Maximum output = 1,000 V positive polarity 24 VDC input (two independent output supplies)
HTDR-HVN-30: Maximum output = 3,000 V negative polarity 30 VDC input (two independent output supplies)